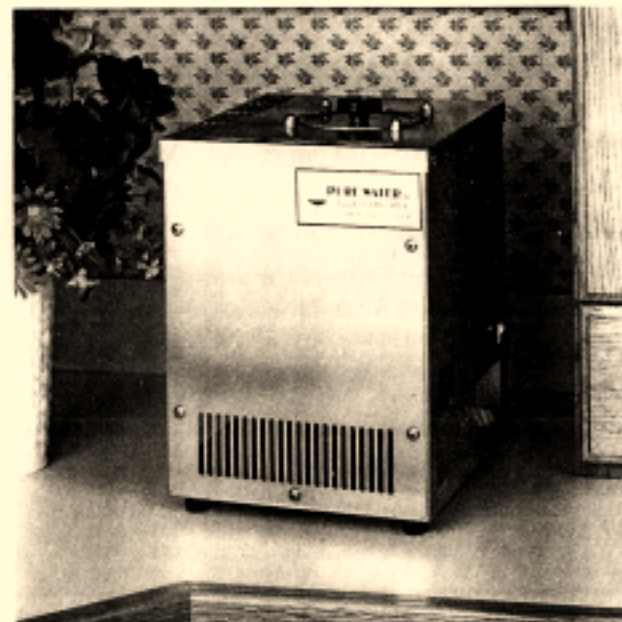


SPECIAL NOTICE

1. A short power supply is provided to reduce the risks resulting from becoming entangled in or tripping over a longer cord.
2. Extension cords may be used if care is exercised in their use.
3. If an extension cord is used, (a) the marked electrical rating of the extension cord should be at least as great as the electrical rating of the product, (b) as the product is of the grounded type, the extension cord should be a grounding type 3-wire cord, and (c) the longer cord should be arranged so that it will not drape over the countertop or tabletop where it can be pulled on by children or tripped over unintentionally.
4. The physiological effects of the operation of this appliance, beneficial or otherwise have not been investigated by Underwriters Laboratories.

Aqua Clean™ MD-4™ OWNERS MANUAL



3725 Touzain Ave. P.O. Box 83226 Lincoln, NE 68501 U.S.A.
402/467-9300 Fax: 402/467-9393

CONTENTS

IMPORTANT SAFETY INFORMATION	2
FOR THE RECORD	3
HOW DISTILLATION WORKS	3
UNPACKING YOUR AQUA CLEAN MD-4	3
ELECTRICAL REQUIREMENTS	3
GETTING ACQUAINTED WITH YOUR MD-4	4
COMPONENT IDENTIFICATION	5
FIRST TIME START-UP, RINSING & STEAM STERILIZING	6
POST-FILTER INSTALLATION	7
MAINTENANCE & CLEANING	
A. OVERALL MAINTENANCE REQUIREMENTS	9
B. CLEANING THE BOILING TANK	10
WARRANTY	10
AQUA CLEAN MD-4 PARTS LISTING	11
SPECIAL NOTICE	12

Please read through all instructions in this manual prior to installation. If you do not understand instructions, please seek assistance from an Authorized Pure Water, Inc. Dealer or Distributor .

IMPORTANT SAFETY INFORMATION

- Operate indoors only.
- The area MUST be well ventilated.
- Always unplug the power cord before assembling, disassembling, repairing or adjusting the system.
- NEVER immerse the distiller in water or any other liquid.
- NEVER operate the distiller with a damaged cord or allow the cord to become exposed to hot surfaces.
- Don't let children play with the distillation system.
- IF YOU ARE NOT SURE THAT YOUR OUTLET IS PROPERLY GROUNDED OR THAT THE CIRCUIT PROTECTION IS CORRECT, HAVE IT CHECKED BY A QUALIFIED ELECTRICIAN.

AQUA CLEAN MD-4 PART LISTING

PART #		DESCRIPTION
120V	240V	
19016	19016	Post-Filter Kit (4 pak)
19027	19027	Post-Filter with Elbow
2039	2039	Front Plate
2042	2042	Top Cover
2102	2102	Heat Tab
2103	2103	Deflector Plate
2104	2104	Base
2105	2105	Back Plate
2587A	2587A	Power Cord
2590A-02	2590A-02	Boiling Tank Studded
2591A	2591V	Boiling Tank Assembly
409	409	Boiling Tank Lid Assembly
418	418	Terminal Block
516	516	Switch Plate
6010	6010	Boiling Tank Top Gasket
601	601	Reset
604	604	O-Ring and Bushing Kit
657	657	Condensing Coil with Fittings
609	609	Float Actuating Arm with Set Screws
611	611	Drain Extension Tube with Fittings
632	632V	Heating Element Kit
636	636	Acorn Cap Nuts, 4 pak
637	637	Speed Clip Nuts, 12 pak
638	638	Sheet Metal Screws, 12 pak
639	639	Fan Blade Kit
642	642	On/Off Switch
644	644	Float Kit
646	646	Microswitch Kit
653	653V	Fan Motor & Blade Kit
656	656	Refrigerator Jug with Spigot
663	663	Reset and Retainer Kit
7014	7014	Cord Restraint
7230	7230	Wire-Cable Holder
8011	8011	Appliance Feet
8070	8070	Spacers
9003	9003	Lock Nuts, 8-32
9010	9010	Spacers, #8
9032	9032	Lock Washer
9043	9043	Hex Nuts, 8-32
9045	9045	Hex Nuts, 1/4-20
9056	9056	Screw, 10-24 x 1/2
9092	9092	Push Nuts
9095	9095	Screws, 8-32 x 1/2
9508	9508	Drain Valve

B. CLEANING THE BOILING TANK

We recommend that the boiling tank be cleaned at least once per month. Use Lumen™ Cleaner (stock #6603) and follow the directions below. Failure to clean the interior can result in:

1. Contaminant build-up (scale) causing premature failure of the heating element.
2. Reduced purity of the distilled water due to 'splash over' of contaminants from the boiling tank.

CAUTION: Under no circumstance should the cleaning solution be heated and run through a steam sterilization or distillation cycle.

Use the following procedures for cleaning the boiling tank in the MD-4:

1. Turn the power switch OFF. Turn the fan switch to STERILIZE. Let the unit cool for 15 minutes before continuing.
2. Remove the boiling tank lid. Open the drain valve and allow the boiling tank to drain. Close the drain valve.
3. Pour water into the boiling tank so the water level is just above the scale line.
4. Add the Lumen™ Cleaner following the directions on the package.
5. Mix well and let stand overnight.
6. Next morning, open the drain valve and drain and rinse the boiling tank thoroughly. Close the drain valve.
7. Steam sterilize the unit by following the instructions for Steam Sterilization and Start-Up on page 6.

WARRANTY

Your Pure Water, Inc. Aqua Clean MD-4 is covered by a comprehensive warranty. Please refer to the warranty card for full details. If your warranty card is missing, or if this is a replacement manual, please contact your Dealer or Distributor for full details. In order for the warranty to be registered, you must return the warranty card within 10 days of purchase. Please be sure all information on the warranty card is filled in completely for valid registration.

If your Aqua Clean MD-4 requires repair under warranty, contact your Dealer or Distributor for instructions. Provided you have met your conditions under the warranty, the system will be repaired free and returned to you. You are responsible for freight both to and from the service location.

FOR THE RECORD

The model and serial number are found on the back panel. You should record both model and serial number for future reference.

Model _____ Date of Purchase _____

Serial Number _____

HOW DISTILLATION WORKS

Your system operates using the combined technology of evaporation/condensation and activated carbon filtration. This combined technology consistently produces high quality water. The principle of operation is quite simple: Raw water is poured into the machine where it is heated and boiled. As the water boils, it kills bacteria and other biological contaminants. The steam then rises, leaving behind virtually all the contaminants in the raw water. The steam enters a condenser where cool air reduces the temperature of the steam, converting it to distilled water. As a final step, this water passes through an activated carbon post-filter to improve water taste. The water is collected and stored in a food-grade plastic container.

UNPACKING YOUR AQUA CLEAN MD-4

Your Aqua Clean MD-4 is shipped to you in a durable carton. Carefully remove the contents from the box.

The Aqua Clean MD-4 carton contains:

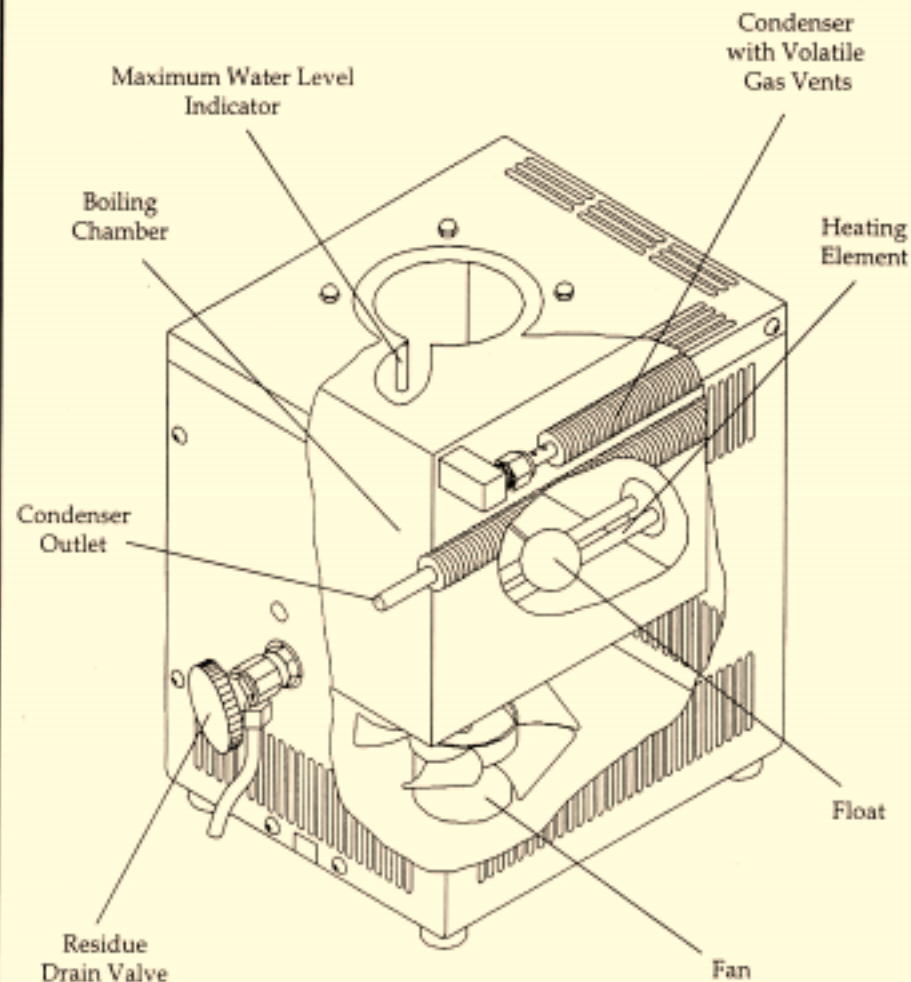
- Pure Water Aqua Clean MD-4 distillation system
- Food-grade plastic container
- Parts Kit #2560
- Owners manual and warranty card

Note: Save the box and packing materials for future use in the unlikely event your machine should require maintenance or repair.

ELECTRICAL REQUIREMENTS

- The unit must be plugged directly into a fully grounded wall outlet.
- The unit will use 5.8 amps when operating, so isolate a 10 amp fuse or circuit breaker for the unit.
- This unit operates on 110V, 60 cycles or as otherwise specified on the back of the distiller.

GETTING ACQUAINTED WITH YOUR MD-4



MAINTENANCE & CLEANING

A. OVERALL MAINTENANCE REQUIREMENTS

The following guide should be used for the maintenance of your distiller. The timing will vary according to your local water conditions. It is your responsibility to maintain your equipment. Without proper maintenance, your Aqua Clean MD-4 may not produce optimum results. The following times may need to be adjusted for your particular area, so the first several times, please keep track of the average time and adjust the schedule below.

Weekly or every 12 gallons:*

Drain the boiling tank.

Monthly or every 30 gallons:*

Clean the boiling tank. (See Section B of Maintenance.)

Every 3 months:

- 1) Change the post-filter.
- 2) Clean the exterior.
- 3) Steam sterilize. (See page 6.)

* More frequent if feed water is hard.

Cleaning the exterior:

Use Stainless Steel Cleaner and Polish. (stock #6606)

Replacing the post-filter:

The post-filter cartridge should be replaced at least every three months. New filters can be purchased in packs of four through your Dealer or Distributor (stock #19016). Replacement instructions are included with the filters.

FIRST TIME START-UP, RINSING & STEAM STERILIZING

We recommend that you thoroughly rinse and steam sterilize your Aqua Clean MD-4 before putting it into use. Distilled water from the first cycle should be discarded.

RINSING –

1. Remove the boiling tank lid.
2. Remove the wire tie restraining the float.
3. Remove the cap from the extension tube on the drain valve.
4. Pour tap water into the boiling tank until approximately 3/4 full and open the boiling tank residue drain valve.
5. Close the residue drain valve after water has drained.

STEAM STERILIZATION –

NOTE: Make sure the post filter is not installed at this point.

6. Fill the boiling tank half full with hot tap water. Install the boiling tank lid.
7. Plug the power cord into the power source.
8. Turn the power switch ON.
9. Turn the fan switch to STERILIZE.
10. Allow the unit to steam sterilize for one hour. **NOTE:** Place a container or towel under the condensing coil outlet to catch any water or steam that drips from the coil.
11. After one hour, turn the power switch OFF.
12. Allow the unit to cool for a minimum of 15 minutes. When cool, install the post-filter as instructed on page 7.

START-UP –

13. Fill unit with water, no higher than the maximum water level indicator and place refrigerator jug under the post-filter to catch the distilled water. Turn the power switch ON and fan switch to DISTILL. Allow the unit to run through a complete cycle. **DISCARD FIRST BATCH.**

With the power switch ON and the fan switch to DISTILL, the unit is now ready for normal operation. We recommend steam sterilization cycle (steps 5-12) every 3 months or if the unit has not been used for one week.

POST-FILTER INSTALLATION

NOTE: The post-filter must be removed during steam sterilization.

This distillation system is equipped with an activated carbon post-filtering system designed to *polish* the taste after distillation. The filter helps ensure the distilled water produced is as fresh and great tasting as possible. This combination of distillation and filtration produces "the Full Spectrum Solution To Water Pollution".

To maintain the freshness of the water, the post-filter should be changed on a periodic basis. See page 9 for schedule.

NOTE: Steam sterilize the unit prior to installing the post-filter.

1. Remove the plastic plug covering the filter outlet. Remove the post-filter lid.
2. Rinse the carbon by slowly pouring DISTILLED* water into the lid area and allowing the black carbon fines to rinse away. Continue until the water coming out the bottom of the filter is clear. Install the post-filter lid and snap closed.
- * Use distilled water only to rinse the post-filter.
3. While making sure the adjustable collet is loose, install the elbow and the new filter onto the condenser outlet by pushing the elbow straight into the condenser outlet tube until it bottoms on the shoulder (approximately 1"). See Figure 1.

Finger tighten the adjustable collet securely to seal the fitting onto the condenser outlet. Gently pull on the elbow to make sure it is locked in place.

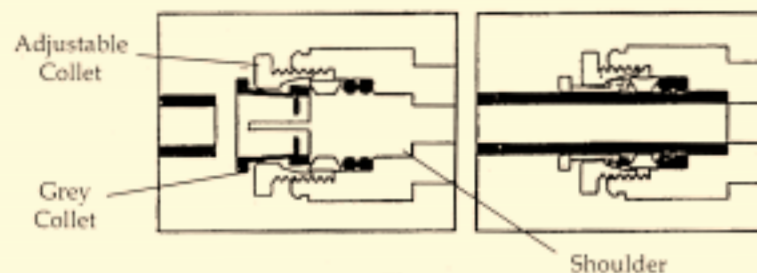


Figure 1

POST-FILTER INSTALLATION (CONT'D.)

4. Position the post-filter loosely into the mouth of the plastic container so it enters at an angle as shown in Figure 2. The unit is now ready for normal operation. Allow a small air gap around the lid of the plastic container for improved flow. **CAUTION:** Do not use the post-filter as a cork for the plastic container.
5. To remove the filter, the adjustable collet (A) must be loosened and the grey collet (B) must be depressed before pulling the fitting off of the condenser outlet.

If installation of the filter onto the condenser outlet is difficult, you may apply a thin film of vegetable oil to the OUTSIDE surface of the condenser outlet to aid installation.

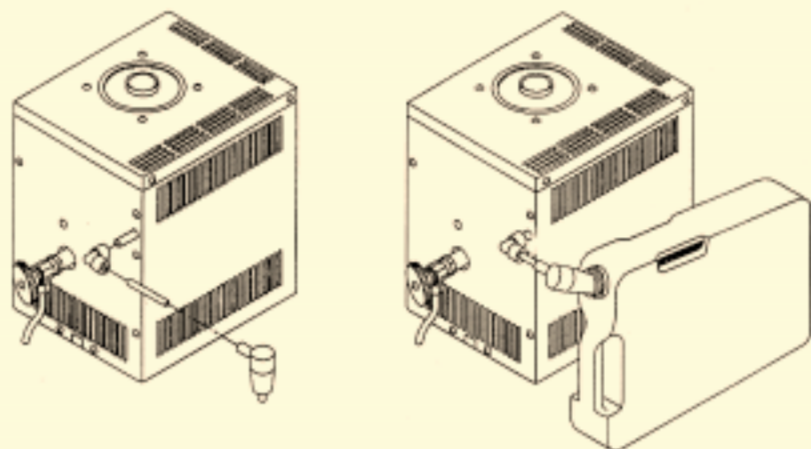


Figure 2

COMPONENT IDENTIFICATION

Boiling Chamber – The manually-filled stainless steel boiling chamber holds a maximum of 1.4 gallons (5.3 liters) of water.

Condenser – As the steam rises from the surface of the water in the boiling tank, it enters the condenser where it is cooled by forced air from the fan and converted to distilled water. The condenser also has volatile gas vents to allow gases to escape.

Residue Drain Valve – The drain valve, located on the rear panel of the unit, provides a means of draining the residue from the boiling tank that remains after distillation.

Fan – The fan provides a constant flow of room-temperature air across the condenser during the distilling cycle to efficiently condense the steam from the boiling water.

Fan Switch (not shown) – The fan switch must be in the PURIFY position during the distilling cycle to provide efficient air flow across the condenser. It is only in the STERILIZE position during steam sterilization.

Float – The float is used to monitor the water level in the boiling chamber. When the level reaches approximately 1" above the heating element, the float trips a switch to shut the unit down.

Heating Element – The 650 watt heating element provides the heat necessary to boil the water in the boiling chamber.

Maximum Water Level Indicator – A small diameter rod which extends downward 1-1/2" from the top of the boiling chamber. When operating the unit, fill the water no higher than the bottom of the indicator.

Power Switch (not shown) – Allows the user to turn the power ON and OFF.